

Sensori Self Closing Toilet Seat - WL533022E

Thank you for purchasing this Croydex product. Please follow the instructions below to ensure your toilet seat is assembled safely and retains its high quality finish. Please retain this leaflet for future reference.

Tools Required - Not Supplied

Flat-head screwdriver, cross-head screwdriver.

KEEP DIY TOOLS OUT OF THE REACH OF CHILDREN

Home Safety Advice

- Do not strike the product with hard or sharp objects.
- Do not stand on the lid or the seat.
- Avoid slamming the lid or the seat.
- Check the fit to ensure the toilet seat is secure before use.

Product Care

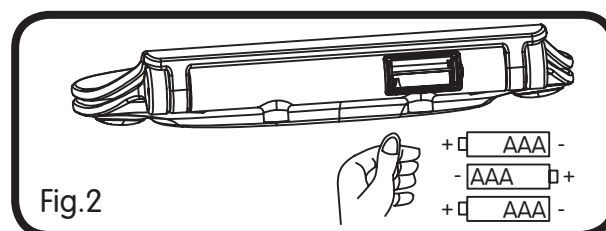
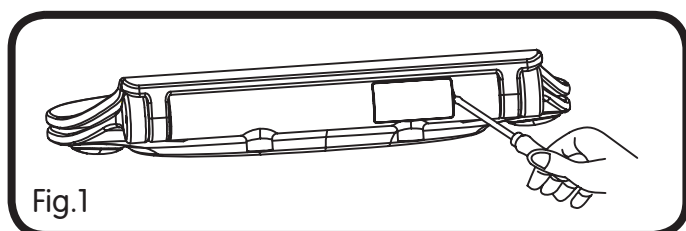
- To retain the best quality finish, clean product regularly with a soft cloth and mild detergents.
- Do not use abrasive or chemical cleaners as these may damage the product.
- Spray cleaning liquids onto the cloth and not directly onto the product.

Installation Guide - Batteries

1. Remove the battery access cover on the underside of the toilet seat by using a flat head screwdriver to remove the cover to reveal the battery housing. (Fig.1)
2. Insert 3 x 1.5v AAA alkaline batteries into the battery housing, ensuring that the polarity is correct. (Fig.2)
3. Replace the battery access cover, ensuring that the locating tabs on the cover are correctly located into the tab slots on the battery housing. Clip the cover into position to complete installation.

Low Battery Indication

If the LED on the sensor unit flashes continuously or remains illuminated this indicates that the batteries need to be replaced.



THIS PRODUCT IS SOLD WITHOUT BATTERIES.

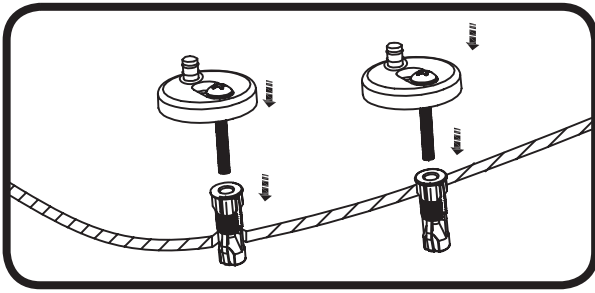
IMPORTANT: Always dispose of used batteries through recognised electrical equipment waste disposal schemes.

WARNING: Do not break open or burn used batteries. Incorrect disposal of spent batteries may be hazardous to health.

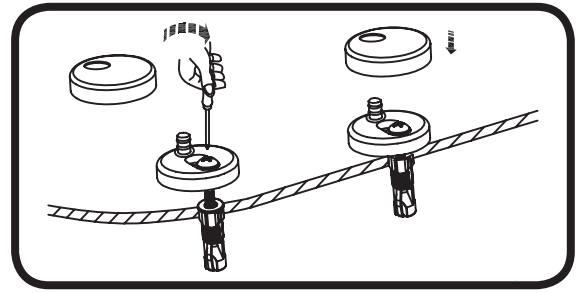
Sensor Field

The active sensor field of the toilet seat extends 750mm forward from the sensor on the toilet seat hinge bar and has a beam width of 200mm. The sensor is located behind the red oval lens.

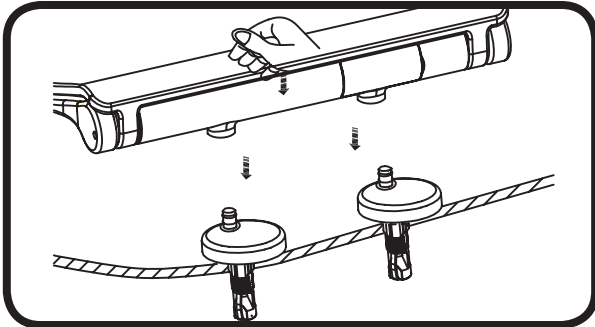
Note - Any obstruction within 1 metre of the sensor may affect the function of the seat.



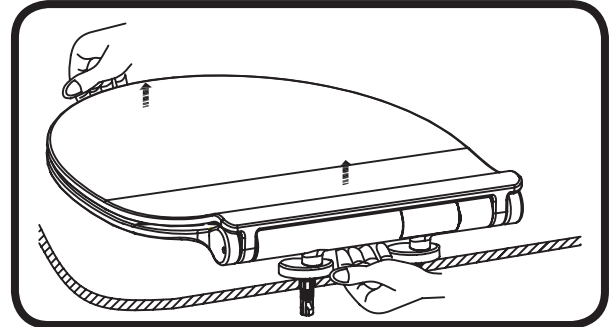
1. Insert the plastic plugs into the fixing holes of the WC pan and lightly screw in the brackets.



2. Rotate the brackets until you are happy with the toilet seat alignment on the pan.



3. When aligning the seat ensure the pins of the brackets line up with the toilet seat pillars and simply push on to fit.



4. For seat removal, use one hand to hold the seat and use the other hand to lift the hinge barrel upwards, away from the WC pan.

Seat Operation

Raise the lid, or the lid and seat together, as you would normally do to use the toilet. The red LED light located behind the red oval lens will flash twice within 1 to 2 seconds to indicate that the product is functioning correctly, regardless of whether the user enters the active sensor field or not.

1. If the user does not enter the active sensor field within three minutes the seat will automatically close.
2. If the user enters and leaves the active sensor field within 15 seconds of opening the lid, or the lid and seat together, the toilet seat will automatically close approximately 35 seconds after the user has left the active sensor field.
3. If the user enters the active sensor field within 15 seconds of opening the lid, or the lid and seat together, then leaves after more than 15 seconds, the toilet seat will automatically close approximately 20 seconds after the user has left the active sensor field.
4. If the user enters the active sensor field after 15 seconds but within three minutes of opening the lid, or the lid and seat together, the toilet seat will automatically close approximately 20 seconds after the user exits the active sensor field.
5. Always wait until the automatic closing mechanism has completed its operating cycle before opening the toilet seat again.

This product complies with the requirements of:

- European Parliament/Council Directive 2014/30/EU on the harmonisation of the laws of the Member States relating to electromagnetic compatibility (EMC) Directive (recast).
- European Parliament and Council Directive 2011/65/EU of 8 June 2011 on the restriction of the use of certain hazardous substances in electrical and electronic equipment (recast) (RoHS Directive)

Applicable standards with amendments

- EN 61000-6-3:2007
- EN 61000-6-1:2007

For details of the other items in the Croydex range please visit our website: www.croydex.com

Croydex, Central Way, Andover, Hants, SP10 5AW, UK
 Tel: +44 (0) 1264 365881
 Fax: +44 (0) 1264 356437
 Email: info@croydex.co.uk





To the Electromagnetic Compatibility (EMC) Directive 2014/30/EU

1. *Description of product:-*

Name: **Self-Closing Toilet Seat**
Part No. **WL533022E**

2. *Directives complied with:-*

European Parliament/Council Directive 2014/30/EU on the harmonisation of the laws of the Member States relating to electromagnetic compatibility (EMC) Directive (recast).

3. *Declaration*

The product listed above in section 1 conforms to the following harmonised standards:

EMC

Emissions: BS EN 61000-6-3:2007 +A1:2011
Immunity: BS EN 61000-6-1:2007

For and on behalf of CROYDEX



P. Pegden
Product and Procurement Director
Date: 04-01-2016



To the Restriction of Hazardous Substances (RoHS) Directive 2011/65/EU

1. *Description of products:-*

Name: **Self-Closing Toilet Seat**
Part No. **WL533022E**

2. *Directives complied with:-*

European Council Directive 2011/65/EU of 8 June 2011 on the restriction of the use of certain hazardous substances in electrical and electronic equipment (recast).

3. *Declaration*

It is hereby certified that the concentration by weight of the restricted substances in the homogenous materials in the product described above at section 1 do not exceed the maximum allowed concentrations listed in European Council Directive 2011/65/EU Annex II Restricted substances referred to in Article 4(1) and maximum concentration values tolerated by weight in homogeneous materials, as detailed below:

Substance	Concentration
Lead	0.1%
Mercury	0.1%
Cadmium	0.01%
Hexavalent Chromium	0.1%
PBB (Polybrominated Biphenyls)	0.1%
PBDE (Polybrominated Diphenyl Ethers)	0.1%

For and on behalf of CROYDEX

P. Pegden
Product and Procurement Director
Date: 04-01-2016