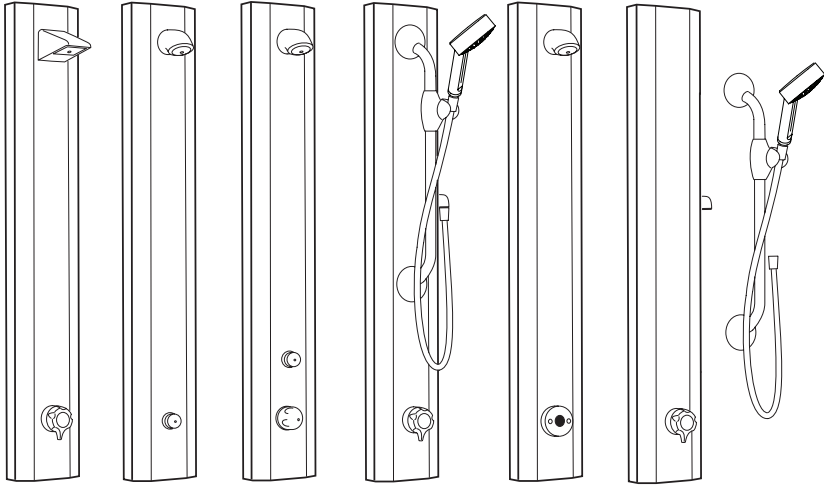


Shower Panels



Important! This manual is the property of the customer and must be retained with the product for maintenance and operational purposes.

Product Manual

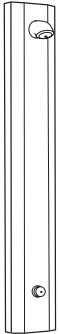
rada

INTRODUCTION

Rada Shower Panels are specified to meet the highest standards of safety, comfort and economy as demanded by today's users. All Rada products are designed, manufactured and supported in accordance with accredited BS EN ISO 9001:2000 Quality Systems.

DESCRIPTION

A range of shower panels designed to deliver water consistently at a desired temperature. All Rada Shower Panels in the range are available in a Stainless Steel or White finish. **Product Ranges** (covered by this guide):



Rada PA-TF (stainless)

Rada PA-TFW (white)

A Rada Shower Panel with a TF 503 Timed Flow Control and a VR105 Shower Head.

Rada PA-15TF (stainless)

Rada PA-15TFW (white)

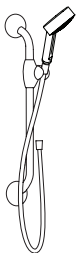
A Rada Shower Panel with a Meynell 15/3 Shower Control, a TF 503 Timed Flow Control and a VR105 Shower Head.



Rada PA-ETF (stainless)

Rada PA-ETFW (white)

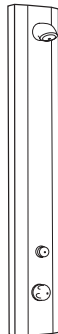
A Rada Shower Panel with a Rada Pulse 129 Sensor for connection to the Rada Pulse Control Box.



Rada PA-V8F-LL & LR (stainless)

Rada PA-V8FW-LL & LR (white)

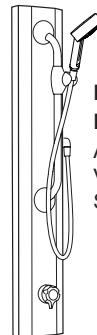
A Rada Shower Panel with a Meynell V8 Shower Control and a separate Adjustable Shower Fittings kit. The fittings can be connected on the left-hand (LL) or right-hand (LR) side of the panel.



Rada PA-215TF (stainless)

Rada PA-215TFW (white)

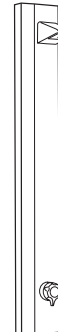
A Rada Shower Panel with a Rada 215-t3 Shower Control, a TF 503 Timed Flow Control and a VR105 Shower Head.



Rada PA-V8F (stainless)

Rada PA-V8FW (white)

A Rada Shower Panel with a Meynell V8 shower Control and an Adjustable Shower Fittings Kit.



Rada PA-V8VR2 (stainless)

Rada PA-V8VR2W (white)

A Rada Shower Panel with a Meynell V8 Shower Control and a VR2 Shower Head.

INSTALLATION

General

Installation must be carried out in accordance with these instructions, and must be conducted by designated, qualified and competent personnel.

The installation must comply with the “Water Supply Regulations 1999 (Water Fittings)” or any particular regulations and practices, specified by the local water company or water undertakers.

Important! The instructions contained in this Product Manual refer to the installation of the Shower Panel only. A separate Product Manual is supplied which contains in more detail, the installation requirements, commissioning procedures and operating instructions of the fitted components. Read both Product Manuals before installing your Shower Panel.

This product uses 15 mm push fit connectors and is not suitable for any other pipe sizes. 15mm copper pipework must be used. Chromed copper, stainless steel, plastic or barrier pipe is not suitable for these push fit connectors.

Installing the Shower Panel

1. Decide on a suitable location for the Panel, taking into account the height of users of the Shower.

Important! If you are installing a pipe shroud accessory, refer to the pipe shroud accessory installation instructions **before** continuing with the installation of your shower panel.

2. Position the Mounting Bracket for the top of the Shower Panel on the wall, and mark the position of the holes.

Note: Use a spirit level to make sure that the Mounting Bracket is horizontal.

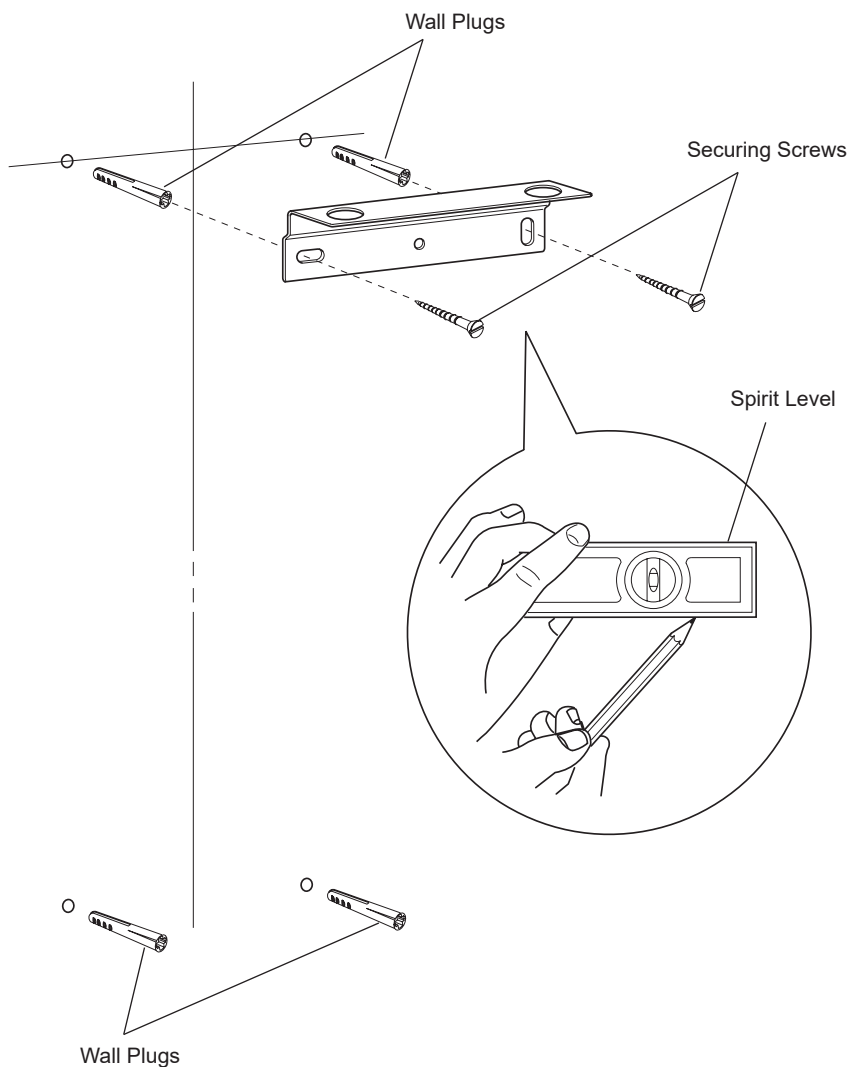
3. For solid walls, drill with a 7 mm Masonry Drill (not supplied) and plug using the Wall Plugs (supplied).

Note: For other types of wall structure alternative fixings may be required.

4. Fix the Mounting Bracket to the wall using the Securing Screws (supplied).

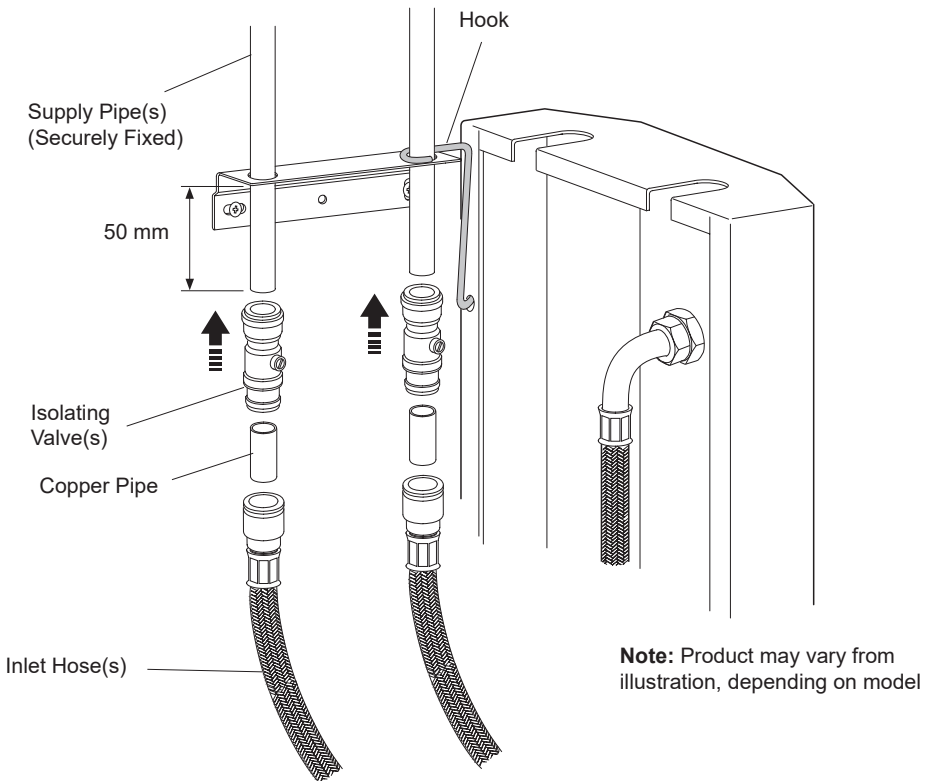
5. Locate the Shower Panel onto the Mounting Bracket and mark the position of the bottom holes.

6. For solid walls, drill with a 7 mm Masonry Drill (not supplied) and plug using the Wall Plugs (supplied).

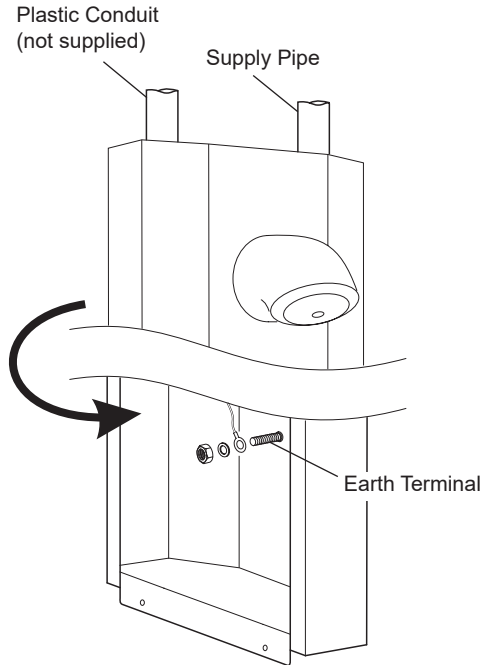


7. Run the supply pipe(s) through the Mounting Bracket.
Note: Make sure that the supply pipe(s) are securely fixed to prevent movement when connected to the Flexible Hoses inside the Panel.
8. Fit the Isolating Valve(s) to the pipework.
9. Turn on the water supply and open the Isolating Valve(s) to flush through the supply pipe(s).

10. Close the Isolating Valve(s).
11. Using the Hook (as illustrated) to hang the Shower Panel on the Mounting Bracket.
12. Connect the Flexible Hose(s) to the Isolating valve(s).
13. After installing the shower panel, check the push fit isolating connectors are correctly engaged.
 - a. Ensure every pipe is fully pushed into the internal stop.
 - b. Pull the pipework to ensure it is retained and locked in place.
 - c. Ensure every locking ring is fully retracted.
14. Open the Isolating Valve(s) and check for leaks.



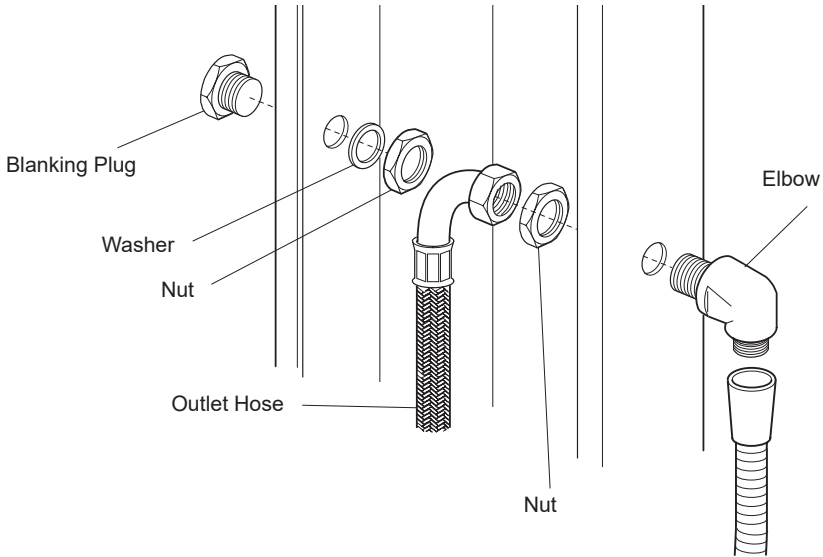
Rada PA ETF / PA ETFW Panels Only



1. Run the supply cable through the Mounting Bracket.
Note: The cable through the Mounting Bracket must be routed through Plastic Conduit of suitable diameter (not supplied). The Plastic Conduit must be securely fixed.
2. Make the connection between the 2 core cable and the Rada Pulse Control Box using the plug-in connector (supplied).
Refer to the Rada Electronic Washroom Product Manual for instructions.
3. The Shower Panel must be earthed by connecting the earth conductor to the Earth Terminal inside the Panel.
Supplementary bonding: within the shower room, all accessible conductive parts of electrical equipment and extraneous conductive parts (metal parts) that are likely to introduce earth potential, must be electrically bonded to earth using a minimum cable size of 4.0 mm² if the cable is not mechanically protected, (2.5 mm² if mechanically protected).

Rada PA-V8F / PA-V8FW-LL and LR Panels Only

The outlet elbow can be moved from the right hand side (RH) to the left hand side (LH) to suit the installation of the shower fittings.



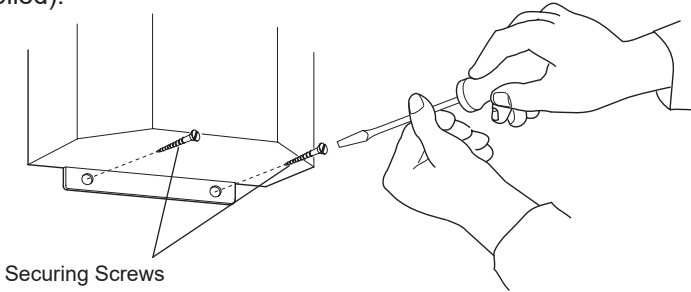
1. Disconnect the outlet hose from the elbow.
2. Remove the nut that holds the elbow in position and remove the elbow.
3. Remove the nut and the washer that hold the blanking plug in position and remove the blanking plug.
4. Refit the elbow in the opposite side of the panel and secure in position with the nut.
5. Fit the blanking plug in the other hole and secure in position with the washer and the nut.
6. Connect the outlet hose to the elbow.

Finish the Installation

1. Remove the Shower Panel and the Hook and locate the Shower Panel onto the Mounting Bracket.

Note: Retain the Hook inside the Shower Panel for servicing purposes.

2. Fix the bottom of the Shower Panel to the wall using the Securing Screws (supplied).



3. This completes the installation of your Rada Shower Panel. Refer to the separate Product Manual for details on the commissioning and operating procedures for the individual product requirements.

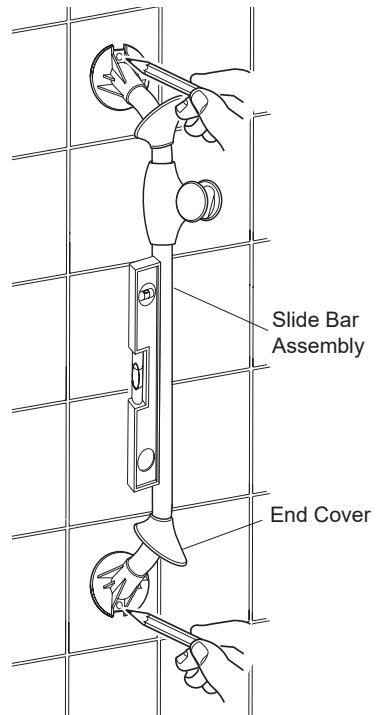
Rada PA-V8F / PA-V8FW-LL and LR Panels Only

Install the Shower Fittings

The slide bar should be fixed to the wall to one side of the shower panel, at an appropriate height. It should be positioned so that the handset discharges across the opening of any shower cubicle and should be directed away from the shower panel.

Note: The clamp bracket assembly is pre-assembled to the slide bar and should not need to be removed.

1. Slide the end covers back from each end of the slide bar.
2. Hold the slide bar assembly against the wall in the desired position and make sure that it is level and upright.
3. Using the slide bar assembly as a template, mark the positions of the fixing holes.



Caution! Make sure that you avoid buried pipes and cables when you drill the wall.

4. Drill the six fixing holes.

Note: The installer should use an appropriate wall fixing arrangement to suit the wall type or surface (wall fixings not supplied).

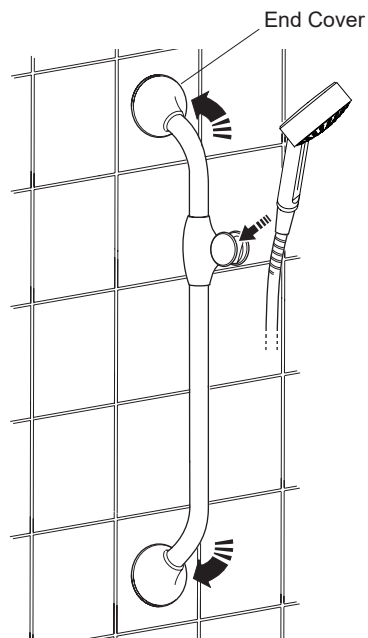
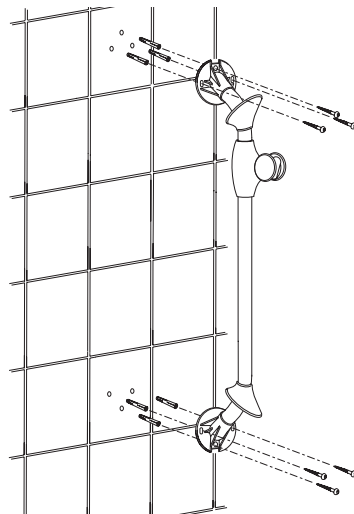
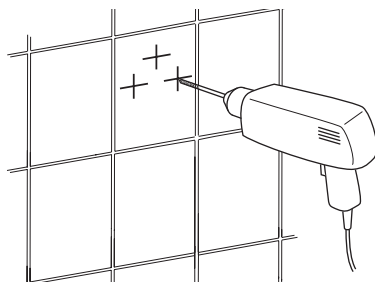
5. Secure the slide bar assembly to the wall.

6. Fit the end covers over the end supports, making sure that they locate correctly.

7. Attach the hose to the handset. Make sure that the hose washer is fitted. **Do not overtighten.**

8. Place the handset in the clamp bracket.

9. Attach the hose to the outlet of the shower panel. Make sure that the hose washer is fitted. **Do not overtighten.**



MAINTENANCE

General

Rada products are precision-engineered and should give continued superior and safe performance, provided:

1. They are installed, commissioned, operated and maintained in accordance with these recommendations.
2. Periodic attention is given as necessary to maintain the product in good functional order.

Cleaning

Many household cleaners contain abrasive and chemical substances, and should not be used for cleaning plated or plastic fittings. These finishes should be cleaned with a mild washing up detergent or soap solution, and then wiped dry using a soft cloth.

ACCESSORIES

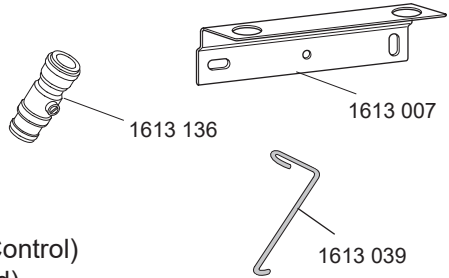
Various Pipe Shroud accessories are available for concealing the inlet pipe(s) to the top of your Shower Panel for vandal resistance and/or aesthetic purposes. For details contact Rada Customer Care.

SPARE PARTS

1613 007 Support Bracket

1613 136 Isolating Valve

1613 039 Installation Hook



Rada PA-TF / PA-TFW

1613 018 Hose (Inlet to Timed Flow Control)

1613 019 Hose (Outlet to Showerhead)

Rada PA-15TF / PA-15TFW

1613 023 Hose (Inlet to Shower Control - Hot)

1613 024 Hose (Inlet to Shower Control - Cold)

1613 025 Hose (Intermediate to Timed Flow Control)

1613 019 Hose (Outlet to Showerhead)

Rada PA-215TF / PA-215TFW

1613 020 Hose (Inlets to Shower Control)

1613 050 Hose (Outlet to Showerhead)

Rada PA-V8F / PA-V8FW / (-LL & LR)

1613 020 Hose (Inlets to Shower Control)

1613 022 Hose (Outlet to Showerhead)

1613 035 Riser Rail

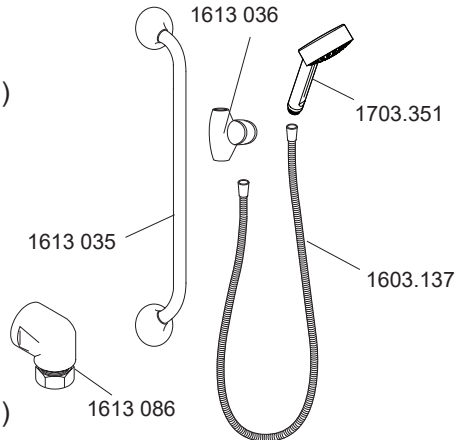
1613 036 Handset Holder

1603.137 Hose

1613 086 Elbow

1613 110 Blanking Plug and Nut

1703.351 Handset



Rada PA-V8VR2/ PA-V8VR2W

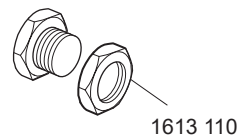
1613.020 Hose (Inlets to Shower Control)

1613.145 Hose (Outlet to Showerhead)

Rada PA-ETF / PA-ETFW

1613 028 Hose (Inlet to Solenoid)

1613 029 Hose (Outlet to Showerhead)



CUSTOMER CARE

Customer Services Guarantee

Your product has the benefit of Rada's comprehensive parts and labour manufacturer's guarantee which commences from date of purchase. Full guarantee terms and conditions can be found at www.radacontrols.com or contact your in region Rada representative or sales agent for further details.

Contact Us

If your product is not working correctly please refer to this manual for fault diagnosis and to check that it is installed and commissioned in accordance with our instructions. If this does not resolve the issue, then please contact our specialist teams who will be happy to help.

For UK based customers support please contact Rada Customer Services

T: + 44 (0)344 571 1777 Please note: UK calls cost 7p per minute plus your phone company's access charge

E: RadaCustomerServices@RadaControls.com

www.radacontrols.com

For customers based in the Republic of Ireland please contact our Rada Service agent

T: + 353 (0) 1 531 9337

E: CustomerServiceEire@mirashowers.com

For customers based in all other geographical regions please get in touch with your local Rada representative or agent whose contact details can be found by visiting our website www.radacontrols.com/en/contact-us/find-a-partner

Services

Our UK Rada Customer Service Team can provide **pre-specification** information as well as details on the **UK Rada product Commissioning Service and Maintenance Service Plans** whilst our nationwide team of field-based technicians are here to help if you need a **Reactive Service Call**. We stock a full range of Rada spare parts and fittings which can be purchased over the telephone.

Note: Regional services do vary please speak to your Rada representative or Sales agent for information on service provisions provided in your area.

Rada is a registered trade mark of Kohler Mira Limited.

The company reserves the right to alter product specifications without notice.

Registered Office:
Cromwell Road,
Cheltenham,
Gloucestershire
GL52 5EP

EU Importer address:
Kohler France S.A.S.
30 Boulevard de la Bastille,
75012 Paris,
France

