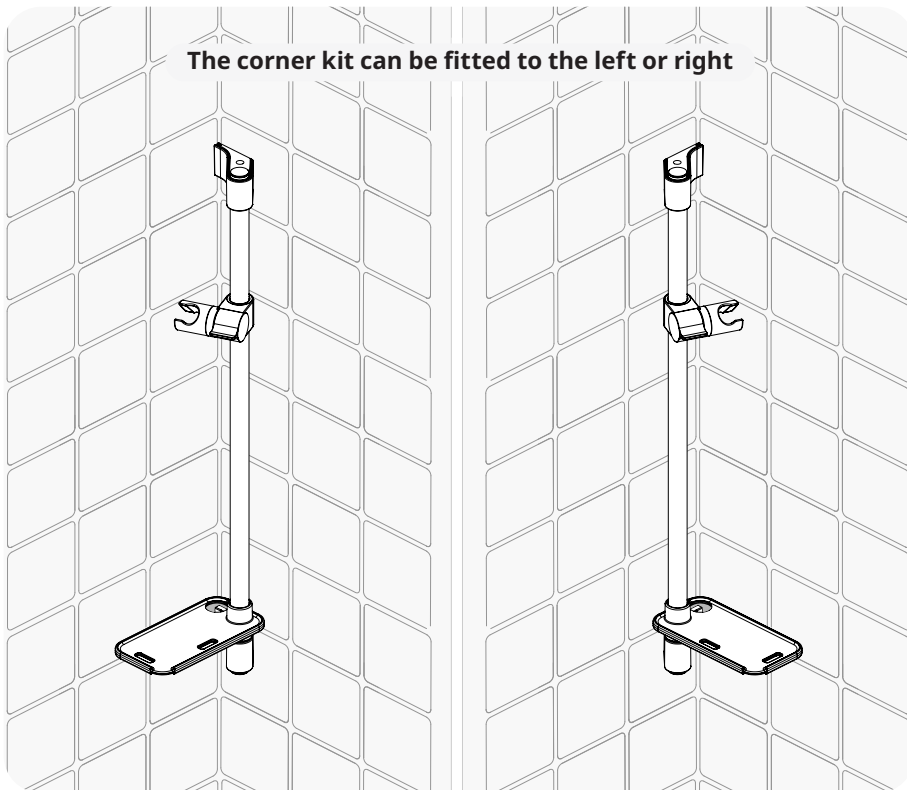


TRITON

CORNER KIT White / Chrome

The corner kit can be fitted to the left or right

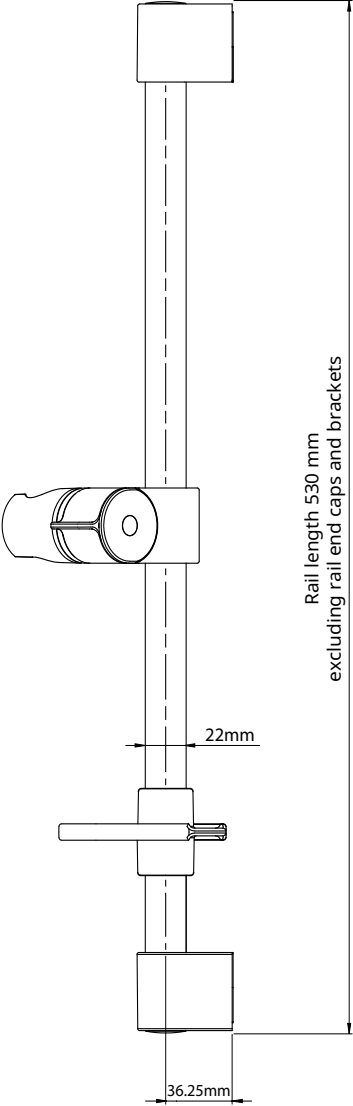
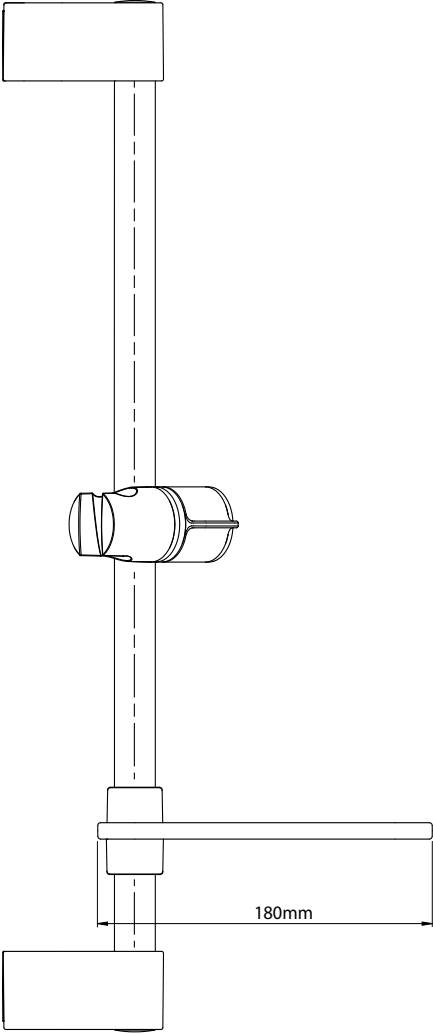


Installation Instructions

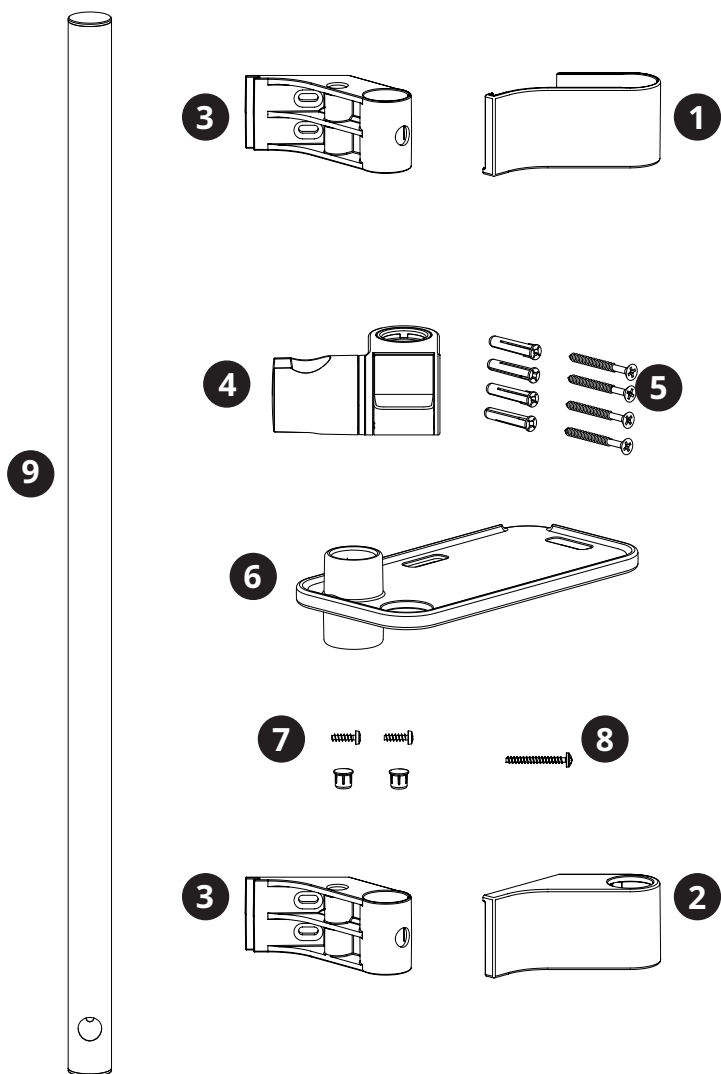
Please read this book thoroughly and familiarise yourself with all instructions before commencing installation.

Keep these instructions in a safe place for future reference.

DIMENSIONS - All dimensions regarding the product and installation are approximate.



MAIN COMPONENTS



1. Top bracket trim
2. Bottom bracket trim
3. Wall bracket x2
4. Shower head holder
5. Wall fixing screws and plugs x4
6. Soap tray
7. 3.5x12mm screws and caps x2
8. 3.5x30mm screw
9. 530mm riser rail

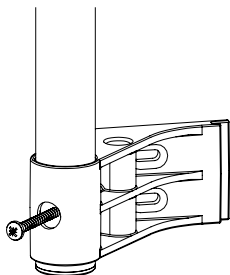
INSTALLATION

WARNING!

Check there are no hidden cables or pipes before drilling holes for wall plugs.
Use great care when using power tools near water. The use of a residual current device (RCD) is recommended when using power tools.

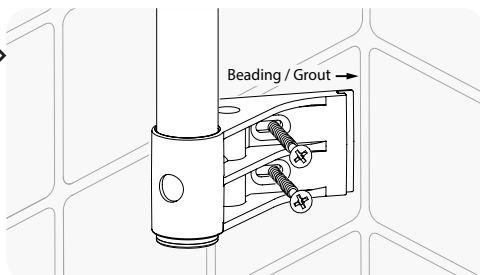
The following procedure describes left hand installation.

Step
1



With the fixing hole at the bottom, slide the riser rail into one of the wall brackets. Line up the holes and secure using the supplied screw (8).

Step
2

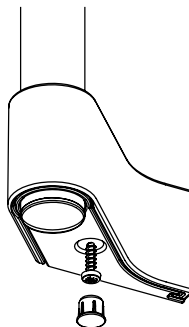
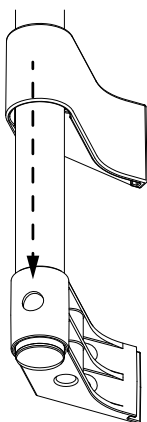


Hold the rail to the wall and mark the drill holes. Drill and plug the wall, and secure in place using the supplied fixings (5).

The wall plugs supplied are suitable for most brick walls. Use an appropriate drill bit, but if the wall is plasterboard or a soft building block, you must use suitable wall plugs.

Note: The bracket should sit slightly away from the corner so that it does not cover the corner beading/grout and to allow room for the trim to fit over the bracket.

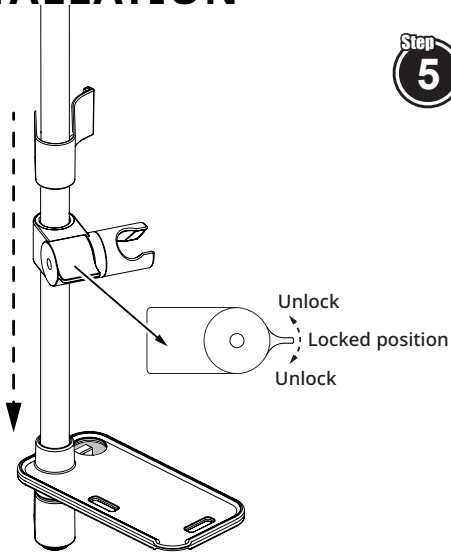
Step
3



Slide the bottom bracket trim (2) onto the rail and over the wall bracket. Secure in place using the supplied screw and cover with the screw cap (7).

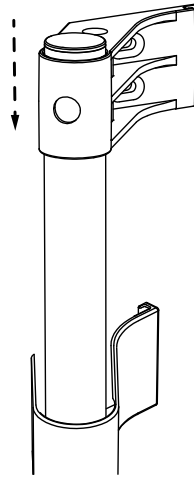
INSTALLATION

Step 4



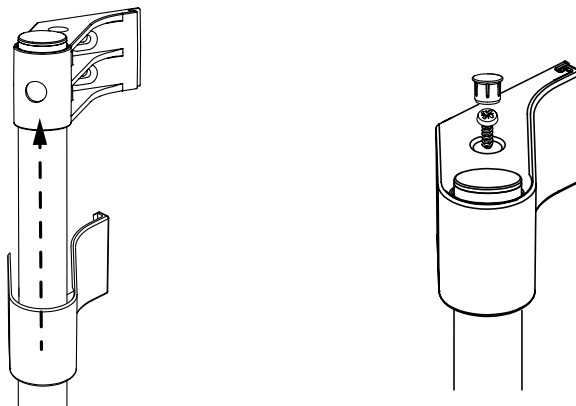
Slide the soap tray, shower head holder and the top bracket trim (1) on to the rail. To move the shower head holder up/down the rail, rotate the handle.

Step 5



Slide the second wall bracket onto the rail, line up with the drill holes and secure in place using the supplied fixings (5).

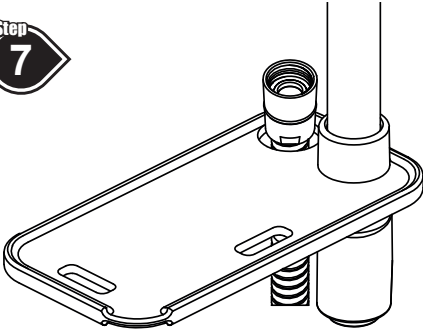
Step 6



Slide the top bracket trim up over the wall bracket. Secure in place using the supplied screw and cover with the screw cap (7).

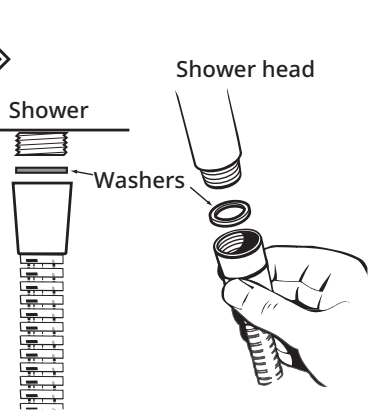
FITTING A SHOWER HEAD AND HOSE

Step 7



Feed the flexible hose through the hose retainer in the soap tray - this is to comply with Water Regulations.

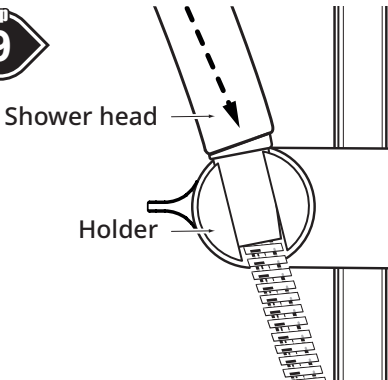
Step 8



Screw the flexible hose to the shower outlet and shower head, making sure the supplied washers are in place at both ends of the hose.

Note: Please select the hose cone end that best fits the shower head holder as shown.

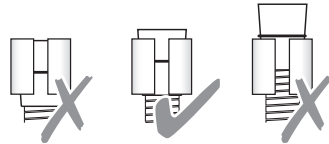
Step 9



Place the shower head into the holder and check that it fits correctly.

The holder is slightly tapered and the shower head and hose will only fit from one direction.

The shower head will not fit in the holder without the hose attached.



GENERAL NOTES

SHOWER HEAD

Fitting the correct type of shower head is critical to the safe performance of your shower, especially if you have an electric shower. Some shower heads are only suitable for use on mixer showers as the flow of water from them can be restricted or stopped completely, which can result in a build-up of potential hot water which could, under pressure, be unexpectedly released.

You can therefore, rest assured when you order a genuine Triton electric shower head that it has been fully tested for use in the UK on all electric shower types.

CLEANING THE SHOWER HEAD

It is important to keep your shower head clean to maintain the performance of your shower.

Triton recommends that all products are cleaned using warm, soapy water.

DO NOT use abrasive or aggressive chemical cleaning products as this may affect the product surface and finish and invalidate your guarantee.

The shower head can be cleaned quickly by simply rubbing your fingers over the spray plate. **DO NOT** use a pin or similar to poke the holes otherwise the efficiency of the shower spray will be impaired.

The hardness of the water will determine the frequency of cleaning. For example, if the shower is used every day in a very hard water area, it may be necessary to clean the shower head on a weekly basis.

INSPECTING THE HOSE

Your shower hose should be inspected from time to time for signs of damage or internal collapse.

Internal collapse can restrict the flow rate from the shower head and may cause damage to the shower.

Triton recommends use of a Triton branded anti-twist hose on all showers to ensure continuous safe performance.

To inspect your hose:

1. Unscrew the hose from the shower head.
2. Inspect the hose for damage, internal kinks, etc.
3. If necessary, replace the hose.

REPLACEMENT ACCESSORIES

Visit tritonshowers.co.uk/accessories to find genuine Triton shower accessories.

For latest service policy and contact details visit www.tritonshowers.co.uk

Triton Showers
Triton Road
Nuneaton
Warwickshire CV11 4NR

Customer Experience: 024 7637 2222
Trade Installer Hotline: 024 7637 8344
www.tritonshowers.co.uk

Triton is a division of Norcross Group (Holdings) Limited

technical@tritonshowers.co.uk

Please refer to shower installation and operating instructions for service details

TRITON reserve the right to change product specification without prior notice. E&OE. © TRITON SHOWERS 2024